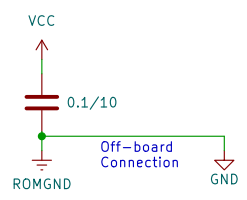
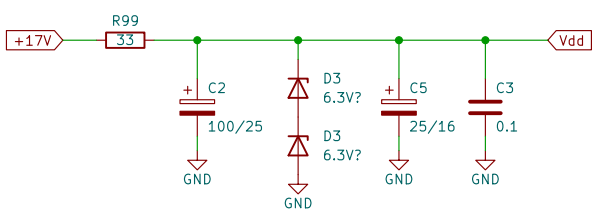
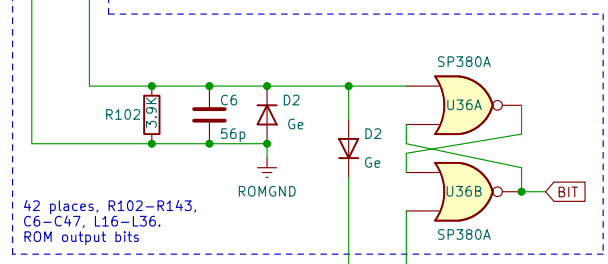
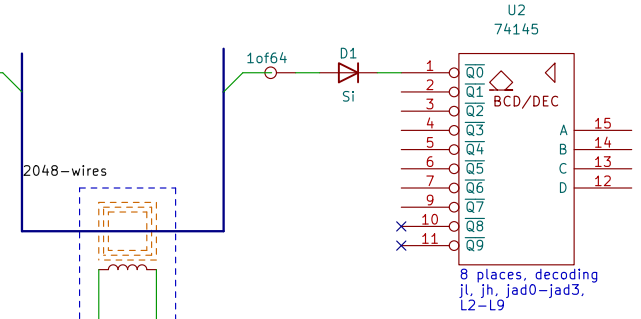
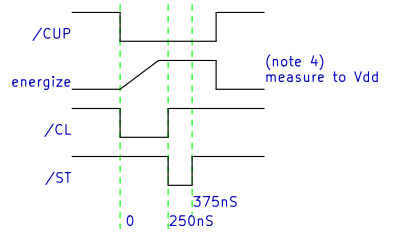
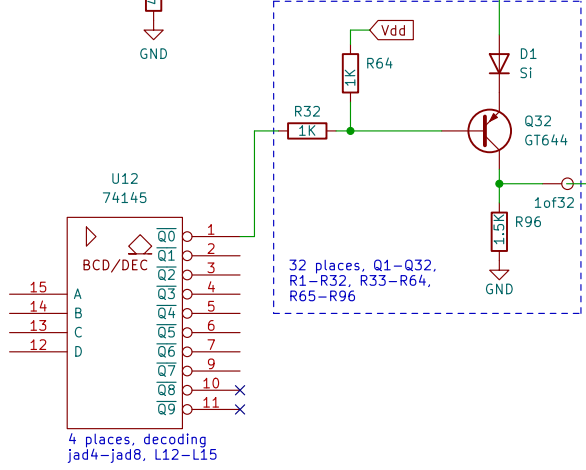


Note 4: Select C48 270-330p for 200+/-25 nS Rise Time



Sheet: /	
File: 5969-wire-weave-rom.kicad_sch	
Title: Wang 500/600 Wire-Weave ROM	
Size: A4	Date: 2024-04-15
KiCad E.D.A. kicad 6.0.2+dfsg-1	Rev: Id: 1/1