

This document contains proprietary information which shall not be reproduced or transferred to other documents or disclosed to others or used for manufacturing or any other purpose without prior written permission.

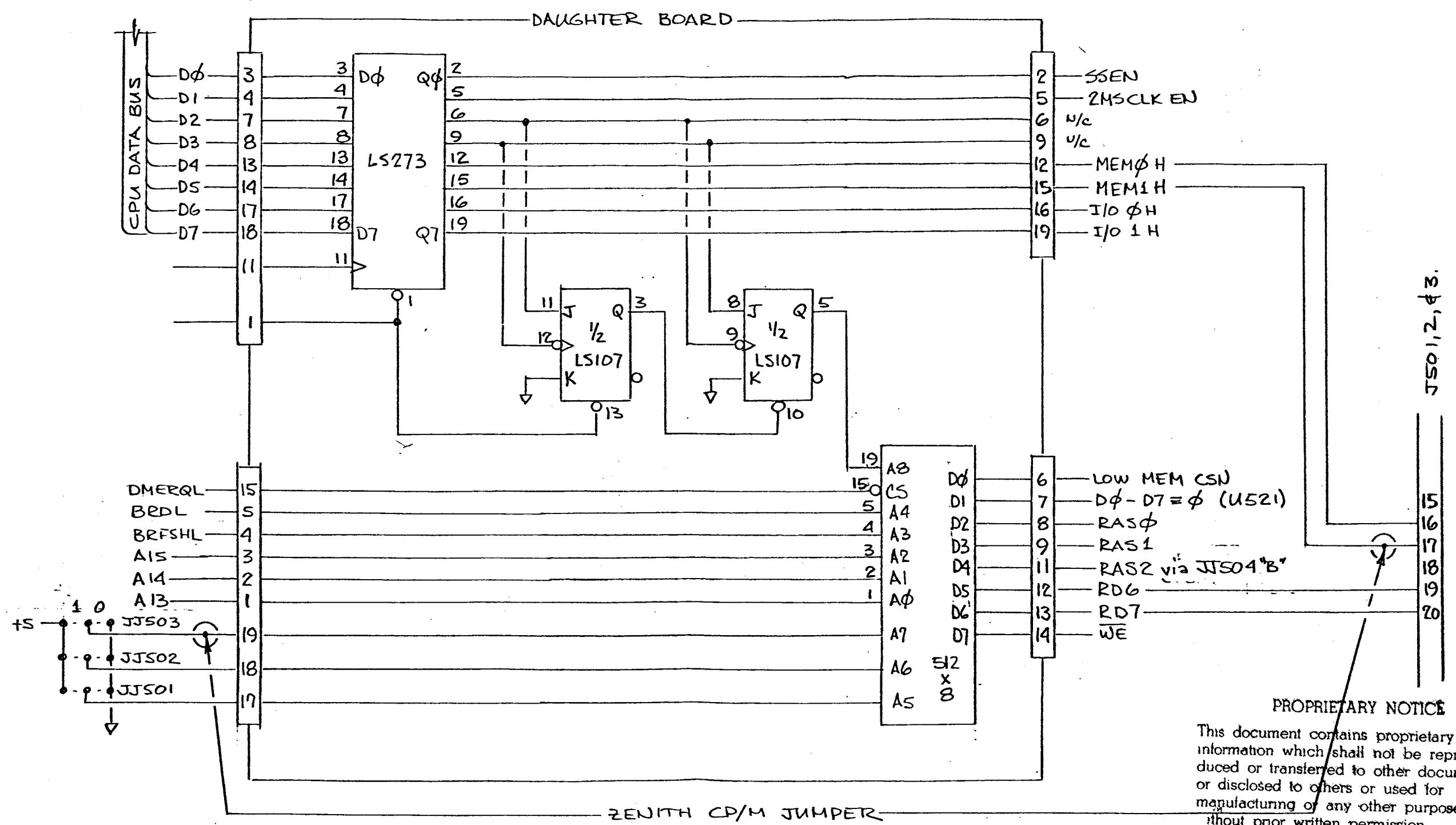
PROPRIETARY NOTICE

16K ADD-ON RAM BOARD

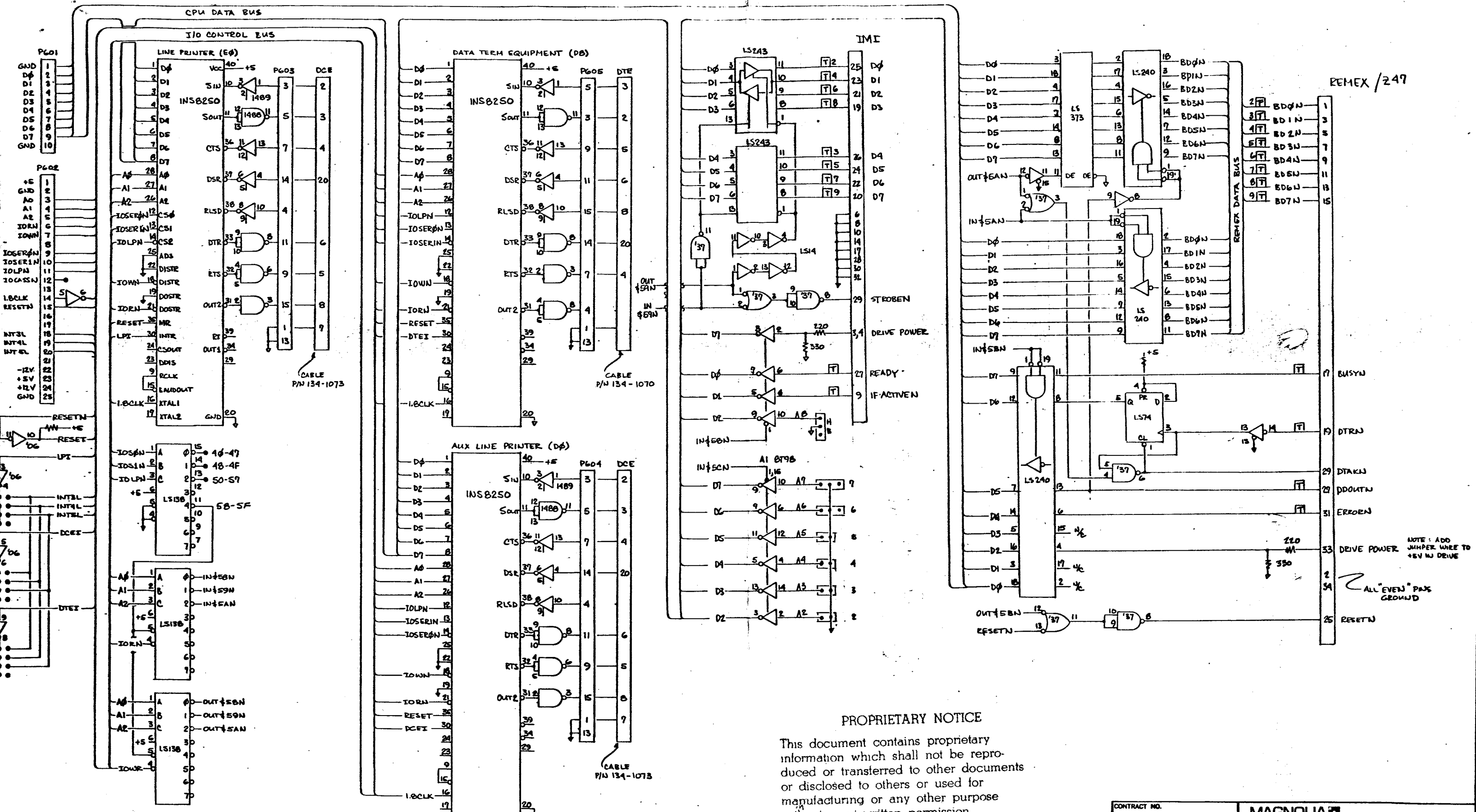
10-77311 © MMS 1981

BKG 1/30/82 CHECKED 2/2/82 D/S

MAGNOLIA
MICROSYSTEMS
 2264 - 15th Ave. W. • Seattle, WA 98119
 (206) 285-7266 (800) 426-2841



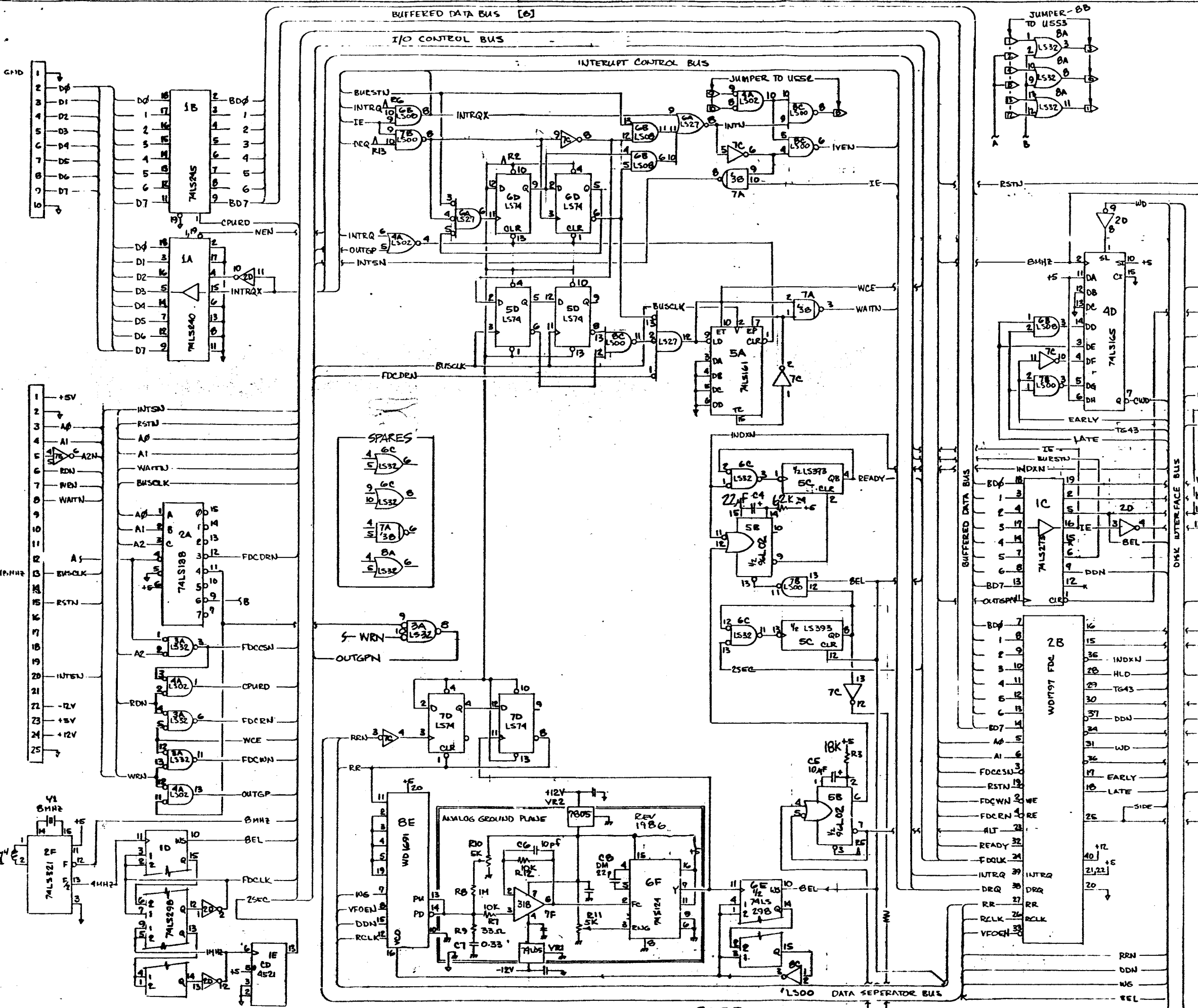
P/N 10-77312 BKG 1/15/82
ORG φ CP/M MODIFICATION



PROPRIETARY NOTICE

This document contains proprietary information which shall not be reproduced or transferred to other documents or disclosed to others or used for manufacturing or any other purpose without prior written permission.

CONTRACT NO.		MAGNOLIA MICROSYSTEMS 2812 Thornhills Avenue West Seattle, Washington 98199	
APPROVALS	DATE	Z89 I/O: (S) RS232 + IMI + REMEX / 247	
DRAWN BFG	5-13-81		
CHECKED			
SIZE	CODE IDENT NO.	DRAWING NO.	
D		20-77314 REV A	
SCALE		SHEET 1 OF 1	

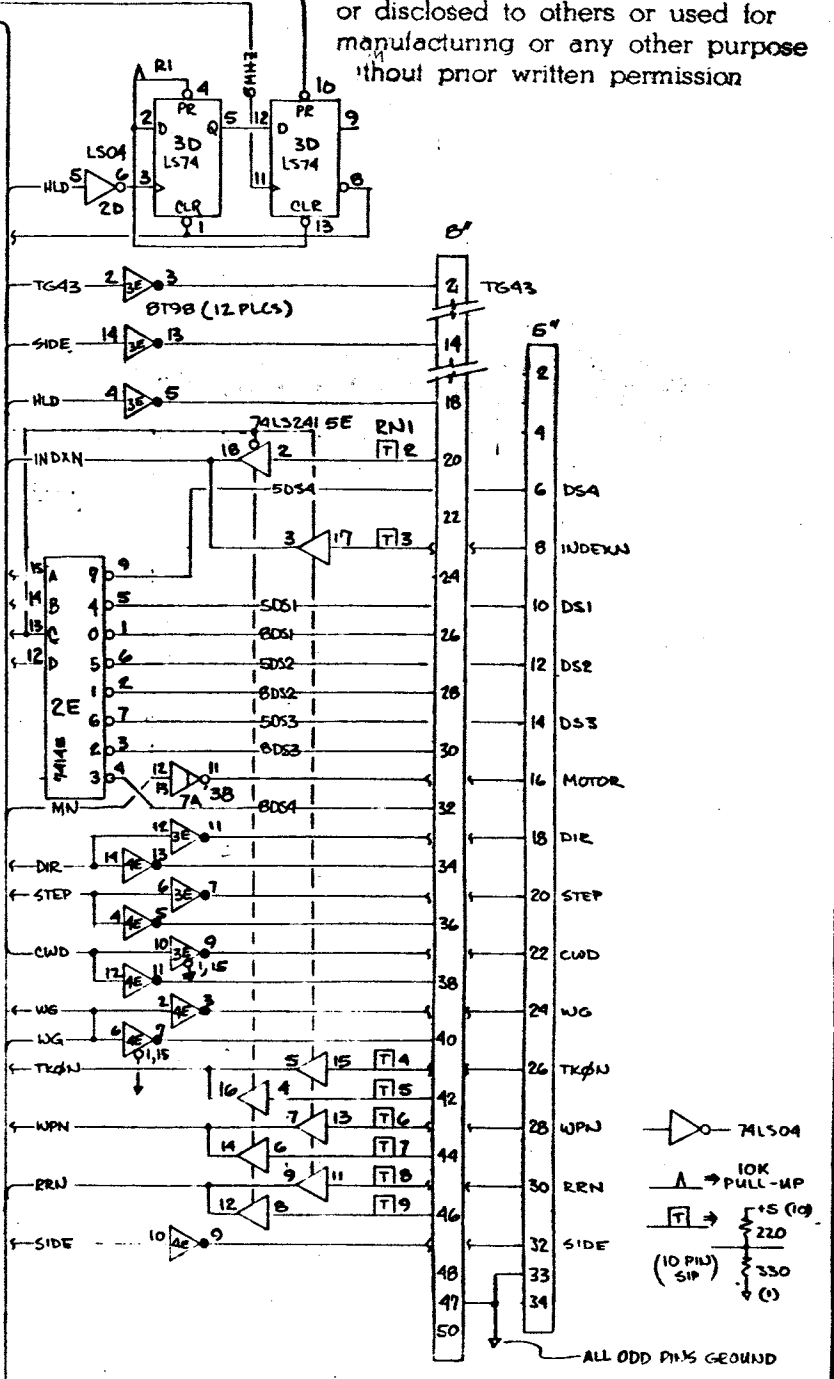


ADJ R10 FOR 14 VDC @ 6F.2; R11 FOR 8.0MHZ @ 6F.7

ZONE		REVISIONS		DATE	APPROVED
		DESCRIPTION			
		RELEASE FOR PCB LAYOUT			
		ADD PKG DESIGNATIONS & PIN #s		3/17/81	BKG
A		REV A PCB LAYOUT		4.7.81	BKG
B		ADDED GATE TO PKG 3A		8-17-83	CP

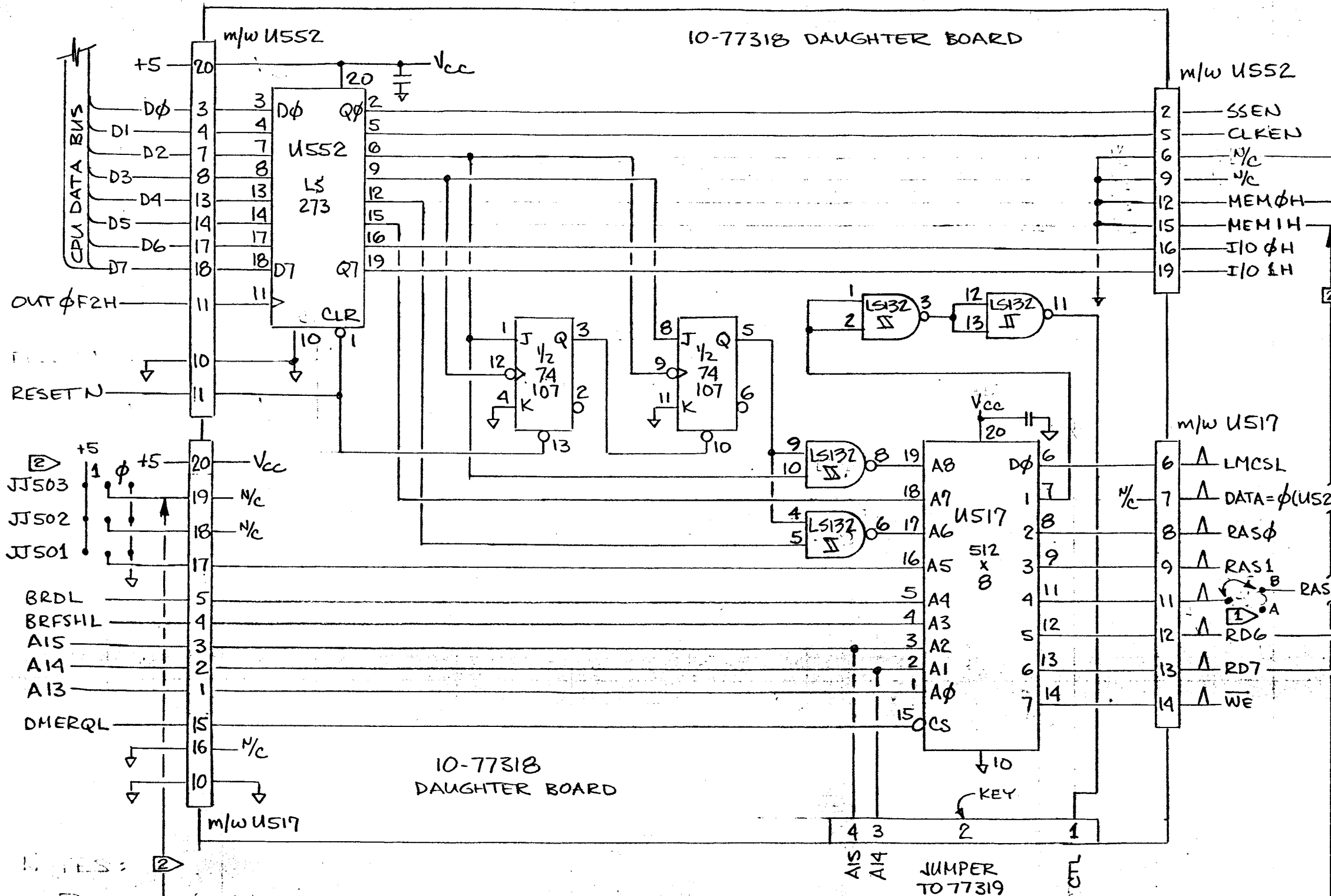
PROPRIETARY NOTICE

This document contains proprietary information which shall not be reproduced or transferred to other documents or disclosed to others or used for manufacturing or any other purpose without prior written permission.



CONTRACT NO.		MAGNOLIA MICROSYSTEMS		2812 Thornhyke Ave. W. Seattle, WA 98199	
APPROVALS	DATE	DOUBLE DENSITY CONTROLLER			
DRAWN: BKG	4.7.81	289			
CHECKED		SCHEMATIC DIAGRAM			
REVISED		SIZE: 10-77316	DRAWING NO.	REV. NO.	REV. NO.
		D		10-77316	A+
		SCALE ~			SHEET 1 OF 1

← PARTIAL CPU BOARD SCHEMATIC →



PROPRIETARY NOTICE

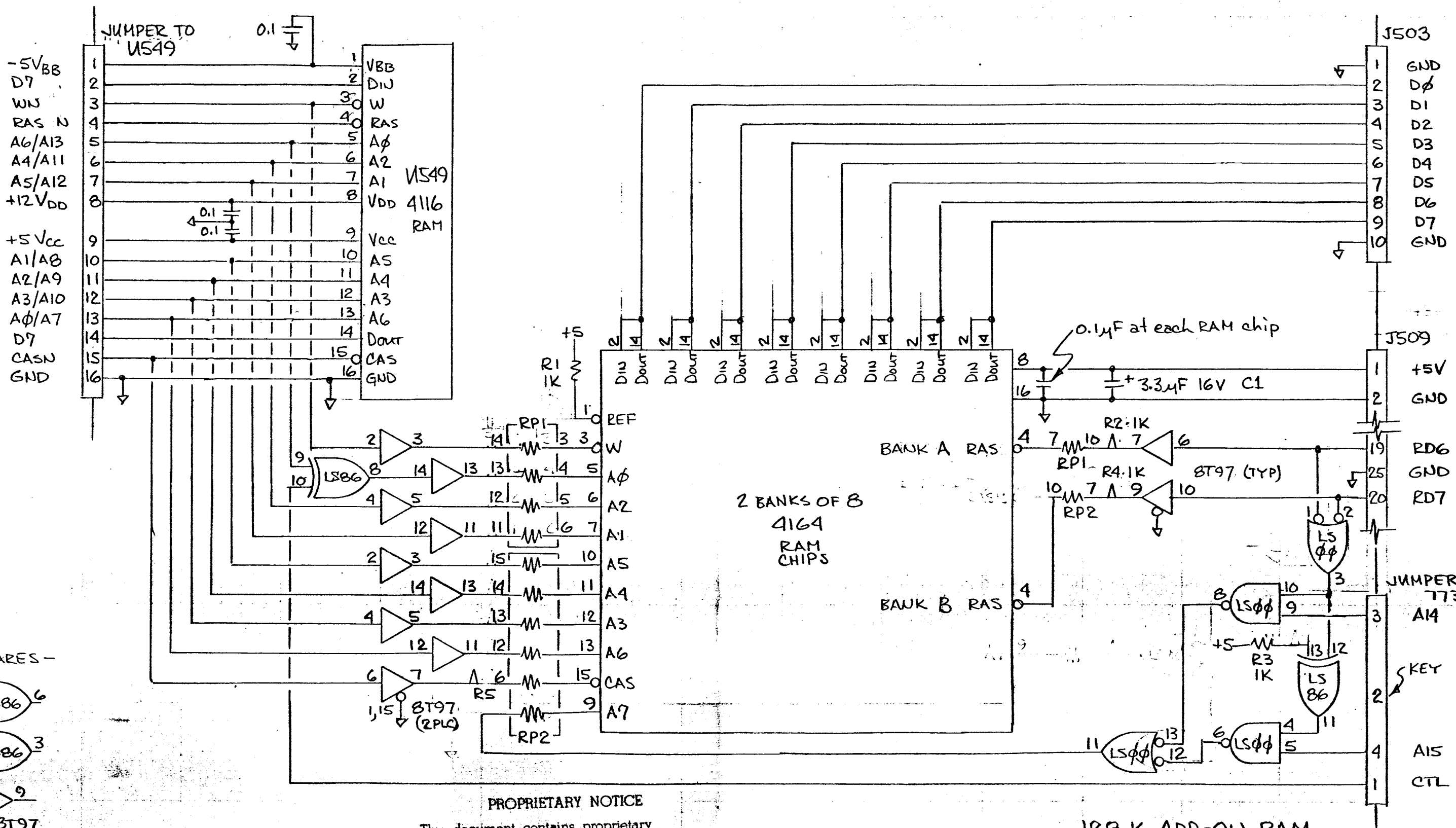
This document contains proprietary information which shall not be reproduced or transferred to other documents or disclosed to others or used for manufacturing or any other purpose without prior written permission.

PE07, 508, 509 for reference only

- NOTES:
- ① JJ504 (NON RFI) OR JJ503 (RFI)
 - ② ZENITH CP/M MODIFICATION JUMPER (NON RFI) OR TRACE (RFI) JJ503 NOT PRESENT ON RFI
 - ③ ON RFI PCB, PE07 → U552-6, NOT .15
 - ④ PINS 15, 16, 17 FOR ZENITH CP/M

BANK SELECT RAM CONTROL BD.
 10-77318-1 REV A 15XG 11-14-83
 BKG 1/30/82 CHECKED 2/1/82 DJS
 PIN NOS ADDED 2/15/82

MAGNOLIA 
MICROSYSTEMS
 2264 - 15th Ave. W. • Seattle, WA 98119
 (206) 285-7266 (800) 426-2841

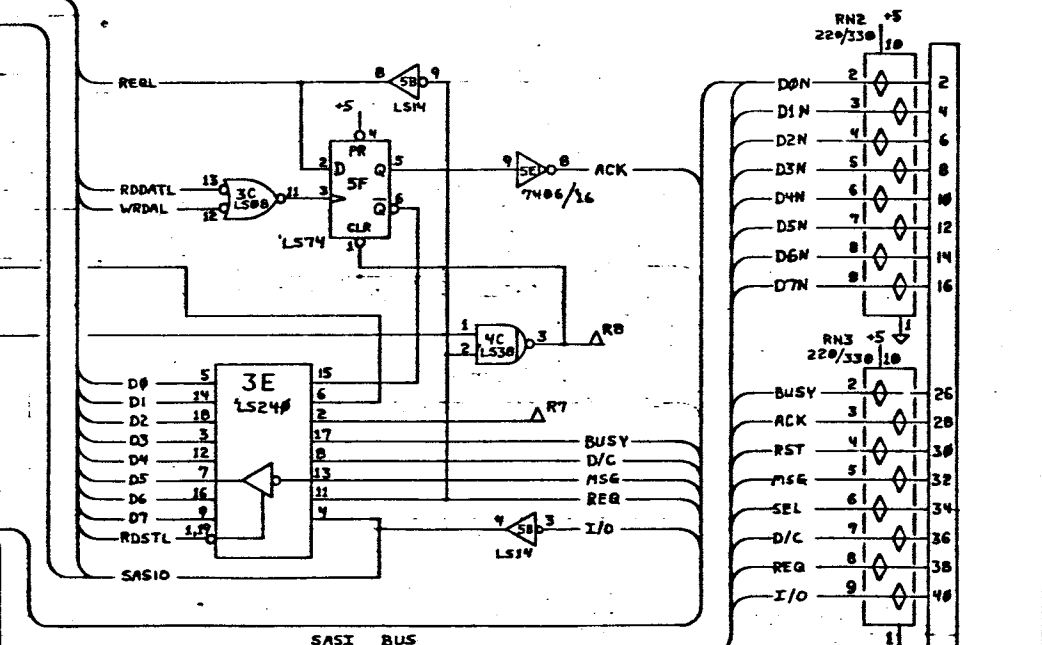
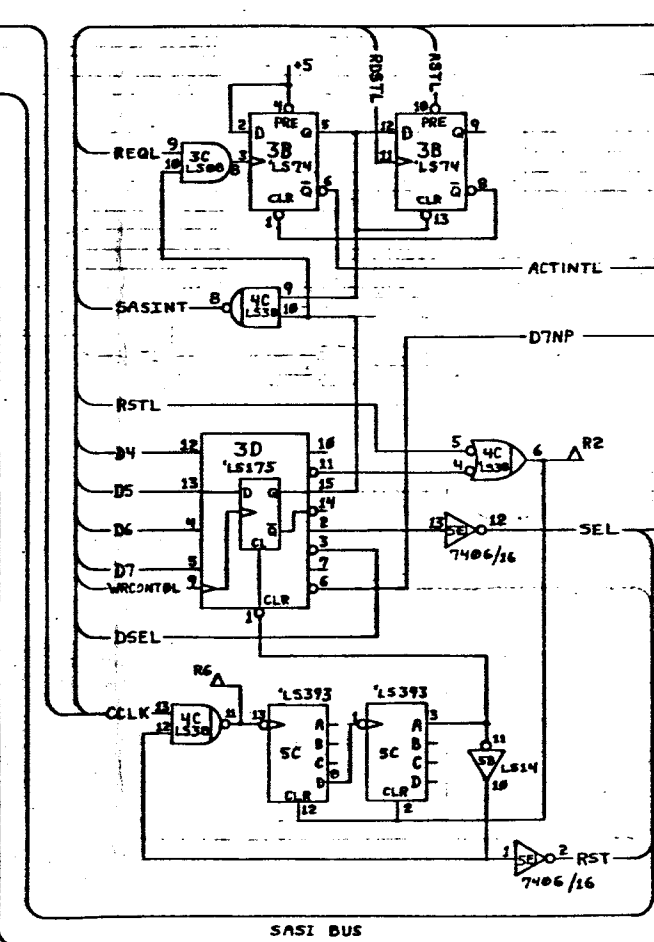
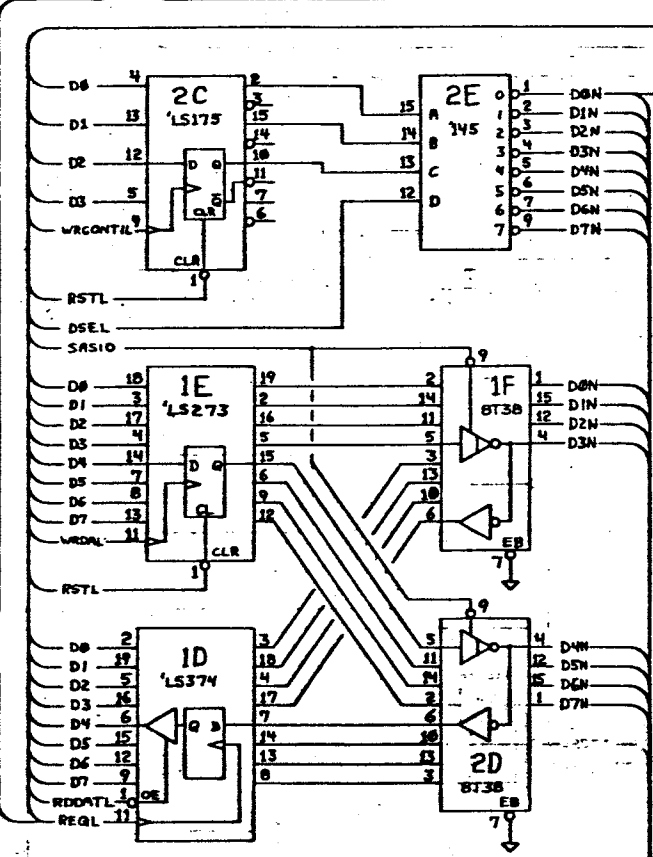
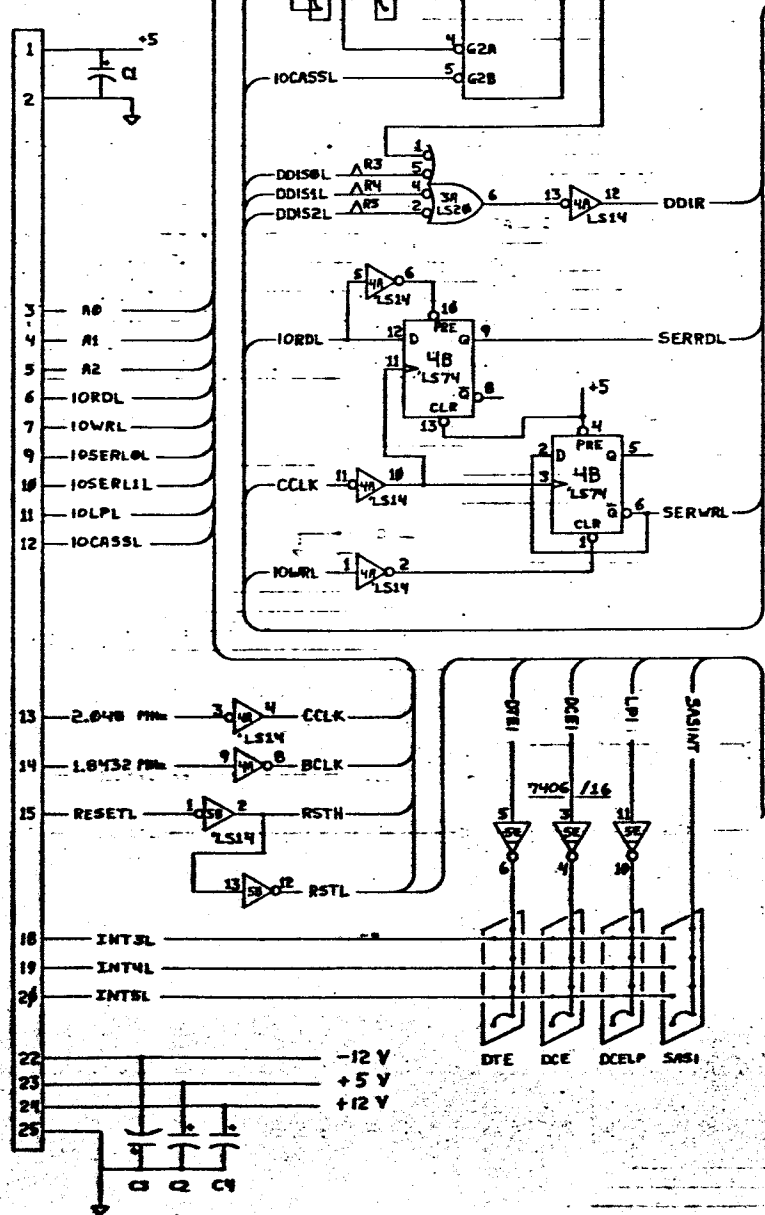
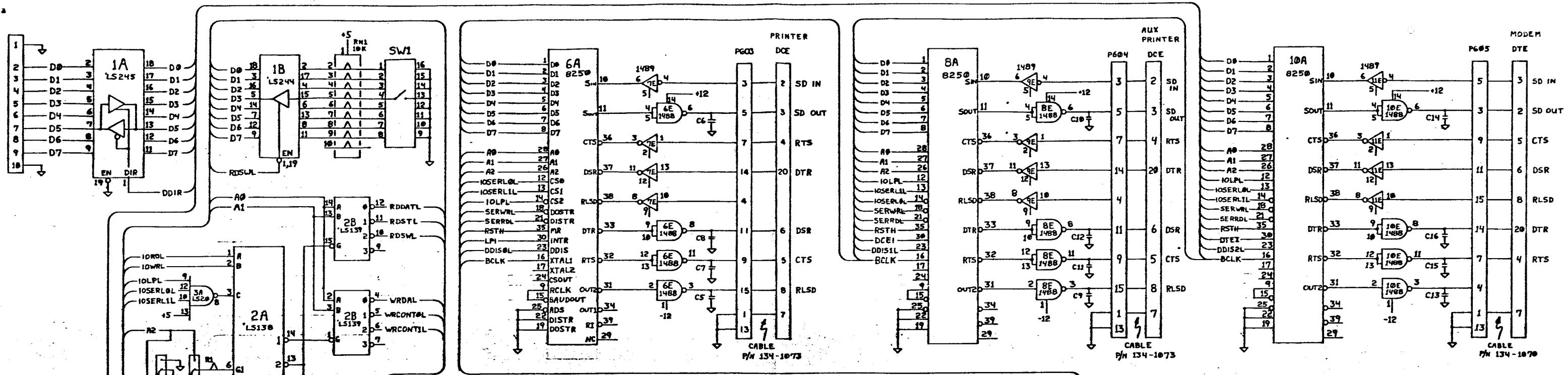


PROPRIETARY NOTICE

This document contains proprietary information which shall not be reproduced or transferred to other documents or disclosed to others or used for manufacturing or any other purpose without prior written permission

MAGNOLIA
MICROSYSTEMS
 2264 - 15th Ave. W. • Seattle, WA 98119
 (206) 285-7266 (800) 426-2841

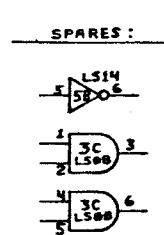
128K ADD-ON RAM
 10-77318-2 © MMS 1982
 BKS 1/30/82 CHECKED 2/1/82 D/S
 PIN NOS ADDED 2/15/82



NOTES:

- △ INDICATES A RESISTOR PULL UP TO +5V
- ◇ INDICATES BOTH: A) PULL UP TO +5V B) PULL DOWN TO GROUND
- ALL BYPASS CAPS = .01 μF UNLESS OTHERWISE SPECIFIED

RESISTOR VALUES:		CAP VALUES:	
R1	47K	C1	3.3 μF
R2	47K	C2	3.3 μF
R3	10K	C3	3.3 μF
R4	10K	C4	3.3 μF
R5	10K	C5 TO C16	330 μF
R6	47K		
R7	47K		
R8	47K		



PROPRIETARY NOTICE
 This document contains proprietary information which shall not be reproduced or transferred to other documents or disclosed to others or used for manufacturing or any other purpose without prior written permission.

CONTRACT NO.		MAGNOLIA MICROSYSTEMS	
APPROVALS	DATE	SASI BUS INTERFACE CARD	
5 McCutcheon	7-06-82	WITH (3) RS232 PORTS	
Checked	7-13-82	SIZE	FORM NO.
		D	7732D
		SCALE	N/F

MAGNOLIA MICROSYSTEMS

16K-Byte Add-on RAM Card for the '89

NOTE

Use of this 16K RAM extension requires the use of either:

- 1) Magnolia Microsystems' CP/M Modification v2.2 with a memory mapping prom (U517) not marked "42A" or "42B"
- 2) A Z-89-FA, Z-89-GA, or Z-89-81 model, or
- 3) A '89 with the Z88-7 upgrade kit installed.

If you have Magnolia Microsystems' CP/M 2.2 with an earlier version PROM, contact your dealer or Magnolia Microsystems for a replacement. Your CP/M Serial Number will be required.

If you have Magnolia Microsystems' CP/M v1.42 or 1.44 you must update to CP/M 2.2 before using this board. Order the update (and new PROM if needed) directly from Magnolia Microsystems. Again, you must be a registered CP/M 1.4 user and your serial number must be furnished.

INSTALLATION INSTRUCTIONS

Tilt back the cabinet shell of your '89. (Instructions for cabinet removal can be found on page 3-2 of your Heathkit Manual.)








Read the "caution" in your Heathkit (Zenith) Operations/Service Manual on page 4-2 in regards to handling RAM chips.

Use of the RAM board requires that the chip at U562 on your CPU card be a 74S132. If your CPU board uses an LS part, replace it with the enclosed 74S132.

Carefully remove RAM chip U549 from the CPU card (the upper left RAM chip) and save it in the black conductive foam.

Plug the add-on RAM board onto P503 and P509 of the CPU board, then plug the ribbon cable into the U549 IC socket.

Reconfigure your programming straps as follows:

<u>Z-89</u>			<u>Z-89-1 (FCC model)</u>		
<u>Jumper</u>	<u>Position</u>	<u>Pictorial</u>	<u>Jumper</u>	<u>Position</u>	<u>Pictorial</u>
JJ504	B		JJ503	B	
JJ503	0	 *	JJ502	1	
JJ502	1		JJ501	1	
JJ501	1				

*The JJ503 strap is replaced with a jumper wire to P508-17 with the 89-7 upgrade kit, and is missing on -FA and -GA machines.

Installation is now complete. Turn the unit on and verify that it is working properly by running the Memory Test on page 3-3 of the Operations/Service Manual. The Result should be LWA=377377 (FFFF hex). HDOS should now sign on as "56K."

USE "MOVCPM 64 *" to generate a 64K CP/M system and "SYSGEN" disks to be used in the 64K machine.